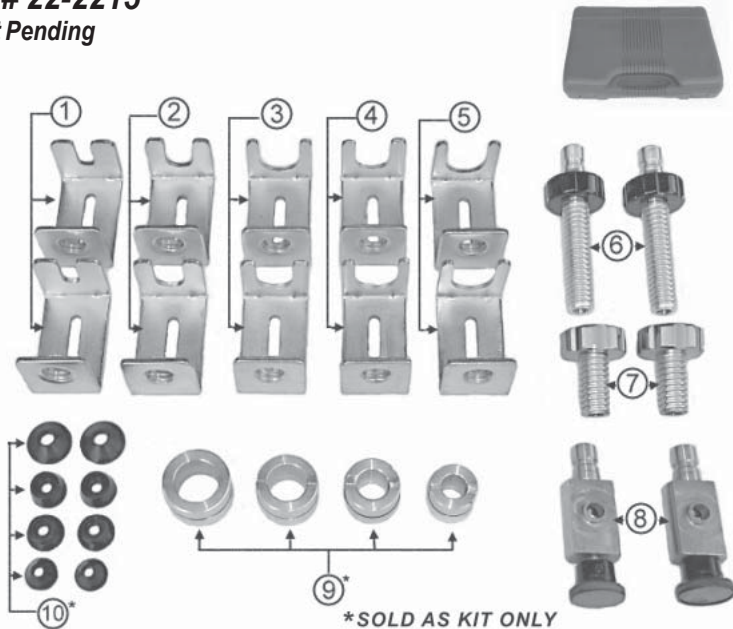


## Universal Flush Adaptor Kit Contents

Part # 22-2215  
Patent Pending



\*SOLD AS KIT ONLY

◆ Shipping Weight: Approximately 7 Lbs.  
◆ Shipping Dimensions (Approximate):  
H: 4" W: 13" L: 17"

- |    |         |                                    |
|----|---------|------------------------------------|
| 1  | 83-325  | #6 Bracket (2)                     |
| 2  | 83-326  | #8 Bracket (2)                     |
| 3  | 83-327  | #10 Bracket (2)                    |
| 4  | 83-328  | #12 Bracket (2)                    |
| 5  | 83-329  | #12-L-Bracket (2)                  |
| 6  | 83-317  | Straight Flush Fitting (2)         |
| 7  | 83-315  | Flush Locking Screw (2)            |
| 8  | 83-316  | 90° Flush Fitting (2)              |
| 9  | *33-135 | Aluminum Spacer Kit (Containing):  |
|    |         | 83-333 #6 Aluminum Spacer (1)      |
|    |         | 83-334 #8 Aluminum Spacer (1)      |
|    |         | 83-335 #10 Aluminum Spacer (1)     |
|    |         | 83-336 #12 Aluminum Spacer (1)     |
|    |         | 66-191 Garter Spring               |
| 10 | *33-145 | Flush Seal Kit (Containing):       |
|    |         | 77-125 #6 Neoprene Flush Seal (4)  |
|    |         | 77-126 #8 Neoprene Flush Seal (4)  |
|    |         | 77-127 Large Tapper Flush Seal (4) |
|    |         | 77-128 Small Tapper Flush Seal (4) |

## INSTRUCTIONS: UNIVERSAL FLUSH ADAPTOR KIT

**I KNOW,  
I KNOW ... But, This Is A  
Great Kit!**

Part # 22-2215  
Patent Pending



**WARRANTY CLAUSE:** We believe the information contained herein to be reliable. However, the technical information is given by us without charge and the user shall employ such information at his own discretion and risk. We assume no responsibility for results or damages incurred from the use of such information in whole or in part.

All warranties expressed or implied including warranties on merchantability and fitness of purpose are null and void if the equipment is altered, damaged or misused in any way, or if equipment is not repaired by authorized repair station using authorized parts.

Copyright © 2004 by Classic Cool, Inc. All rights reserved. Reproduction in part or whole is prohibited without written permission.

**845-562-8700**

**CLASSIC TOOL DESIGN INC.**

31 Walnut Street, New Windsor, New York 12553

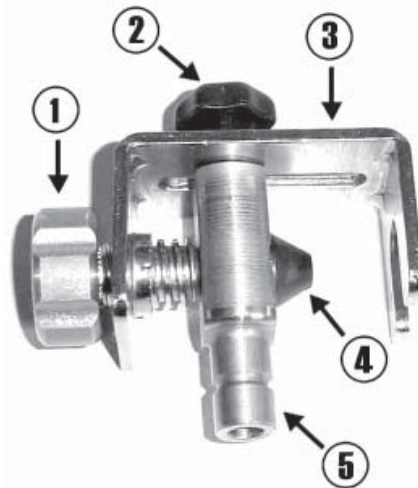
## General Instructions

- Choose the appropriate size main bracket for the fitting on the vehicle.
- Next, select the Flush Fitting -Straight or 90°, along with the appropriate neoprene seal.
- Tighten fitting against fitting on vehicle. **(Do not over tighten)**
- There are various sizes of neoprene seals that will cover all applications.

## How to Use

### 90° Fitting

- Connect the 90° fitting (5) in the proper bracket (3)
- Connect the knob screw (2) loosely
- Select proper neoprene seal (4) and place on 90° fitting
- Slide fitting onto fitting on vehicle
- Tighten flush locking screw (1) and then
- Tighten knob screw (2)
- Connect the Quick Connector from machine\*

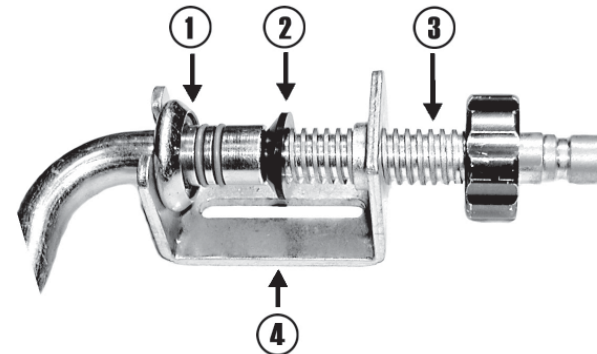


1. Flush Locking Screw
2. Knob Screw
3. Bracket
4. Neoprene Flush Seal
5. 90° Fitting

**\* NOTE:**  
**FITTING CONFIGURATION ON VEHICLE WILL VARY FROM VEHICLE TO VEHICLE**

### Straight Fitting

- Screw Straight Fitting (3) into proper bracket (4).
- Select proper Neoprene Seal (2)
- Place bracket on vehicle fitting\* (1) and tighten **(Caution: Do not over tighten)**
- Connect the Quick Connector from the machine\*

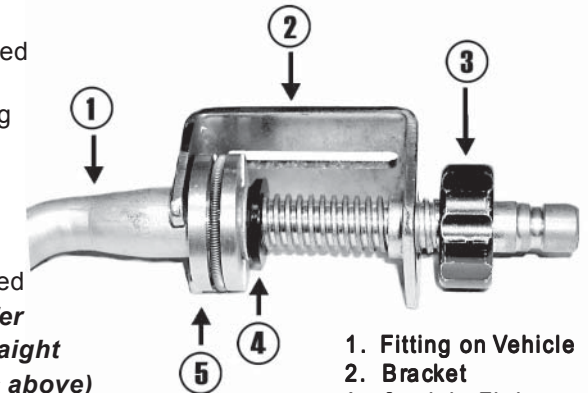


1. Fitting on Vehicle
2. Neoprene Seal
3. Straight Fitting
4. Bracket

### Collar Adaptor

*Collars are used on Female Spring Lock Fitting for added protection*

- The collar (5) is placed around the outside diameter of the fitting from the vehicle (1)
- The 90° fitting (5) or Straight Fitting (3) along with main bracket (2) is attached to the vehicle\* **(Refer to 90° Fitting & Straight Fitting instructions above)**



1. Fitting on Vehicle
2. Bracket
3. Straight Fitting
4. Neoprene Seal
5. Collar

**\* NOTE:** **FITTING CONFIGURATION ON VEHICLE WILL VARY FROM VEHICLE TO VEHICLE**

**845-562-8700**

**CLASSIC TOOL DESIGN INC**

31 Walnut Street, New Windsor, New York 12553